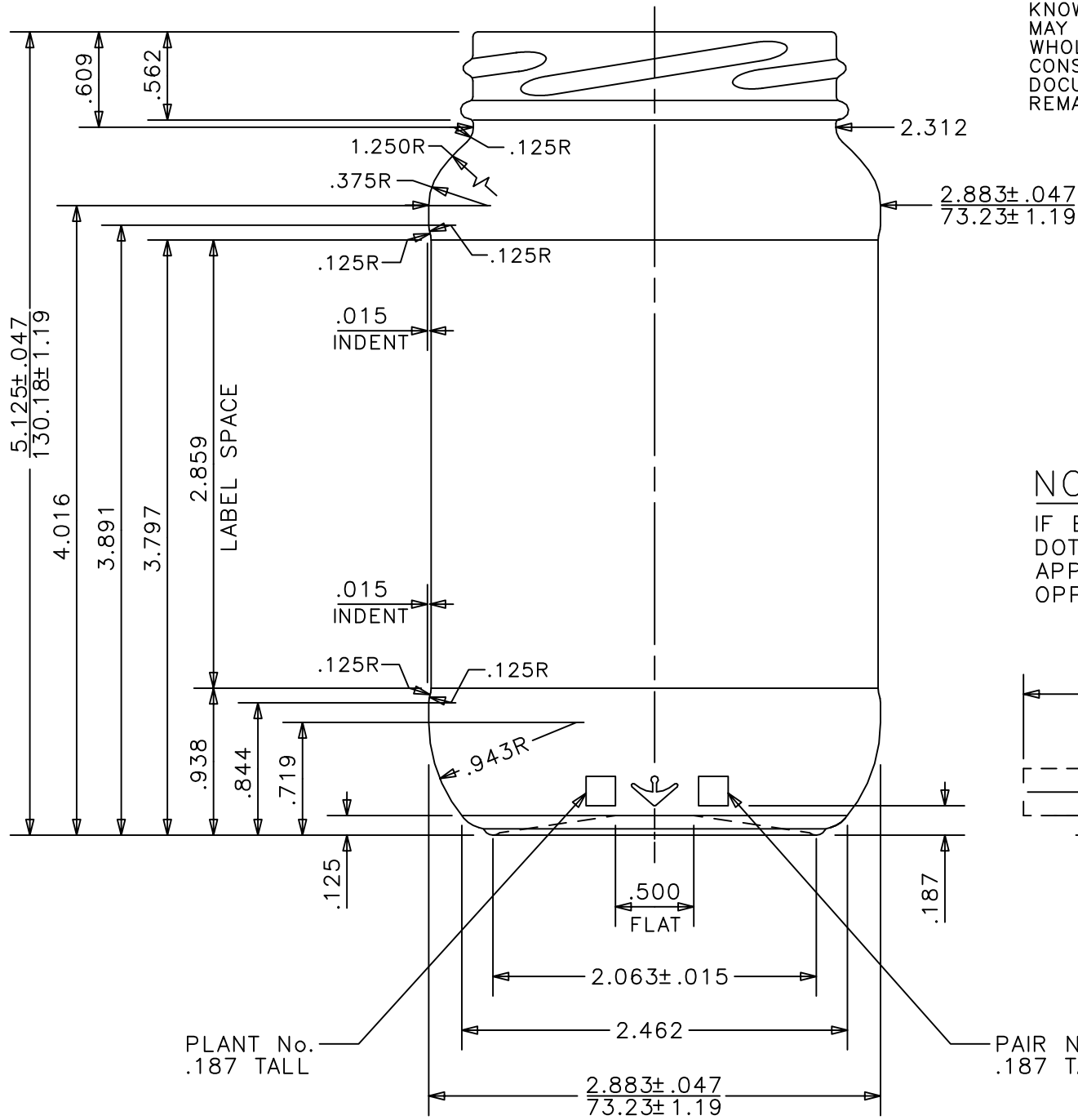


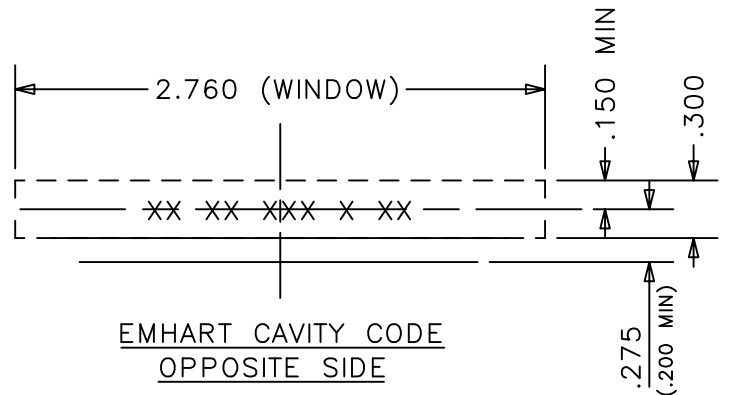
63MM-2030H  
C-94259

THIS DOCUMENT IS CONFIDENTIAL AND CONTAINS PROPRIETARY INFORMATION AND INTELLECTUAL PROPERTY INCLUDING, BUT NOT LIMITED TO, TRADEMARKS, COPYRIGHTS, TRADE SECRETS, AND KNOW-HOW OF ANCHOR GLASS. THIS INFORMATION MAY NOT BE USED, DISCLOSED OR REPRODUCED, IN WHOLE OR IN PART WITHOUT THE PRIOR WRITTEN CONSENT OF ANCHOR GLASS. TITLE IN AND TO THIS DOCUMENT AND ALL INFORMATION CONTAINED HEREIN REMAINS AT ALL TIMES IN ANCHOR GLASS.



**NOTE:**

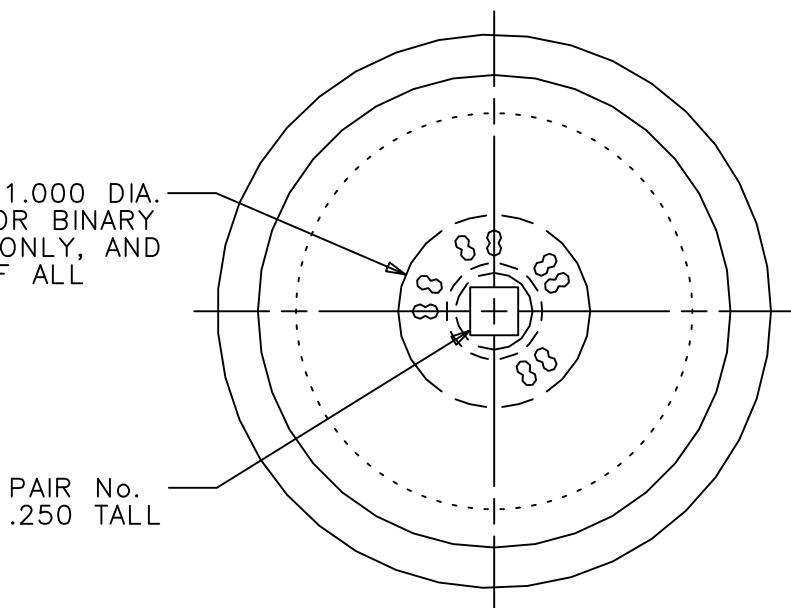
IF EMHART CAVITY IDENTIFICATION DOT CODE IS USED, THEY WILL APPEAR ONCE, CENTERED ON SIDE OPPOSITE HEEL LETTERING.



EMHART CAVITY CODE  
OPPOSITE SIDE

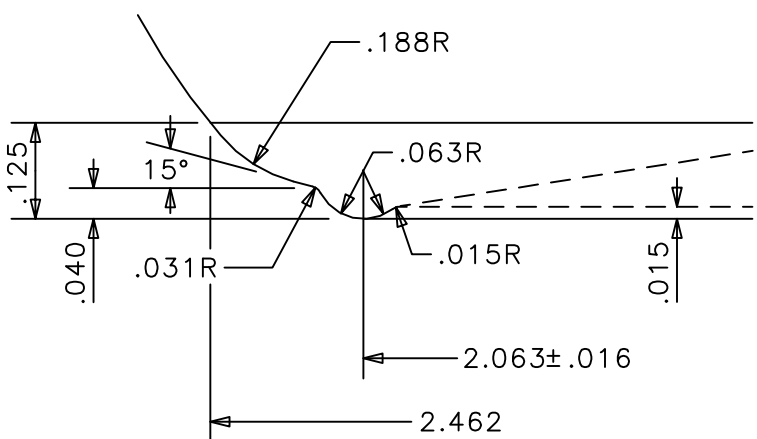
**NOTE:**

REGION BETWEEN 1.000 DIA. & .400 DIA. IS FOR BINARY CAVITY CODE No. ONLY, AND MUST BE FREE OF ALL OTHER LETTERING.



PAIR No.  
.250 TALL

KNURLING: GPI-170 ON BEARING SURFACE.  
BOTTOM LETTERING: ROUND NOSED STYLE.  
HEEL LETTERING: ROUND NOSED STYLE, RAISED .012".  
TRADEMARK: No. 1.



STACKER DETAIL  
SCALE 4 TO 1

**NOTE!**

OVERALL HEIGHT ----- 5.125"(130.18mm)  
LARGEST DIAMETER ----- 2.883"(73.23mm)

NOTE: THEORETICAL TIP ANGLE > 23° 21'.  
THEORETICAL C.O.G. = 2.390 UP FROM BTM OF BTL.

SIZES & SPECIFICATIONS SHOWN ARE IDEAL -ACTUAL SAMPLES WILL DETERMINE SIZES.

SCALE: FULL & NOTED    SHAPE CODE: 10

OVERFLOW:  
14.000 ±.218 FL.OZS.  
414.00 ±6.45 MLS.

FILL POINT OR NOMINAL CAPACITY:

WEIGHT: 7.000 OZS.  
198.45 GRAMS

PROJECT No. 17457 PB



**ANCHOR GLASS**  
CONTAINER

DESIGN/ENGINEERING

TAMPA, FLORIDA

GENERAL SALE

14 oz. SAUCE JAR

ITEM No. 21453

DATE 10-17-95

DRN. BY *D. Stroh*

DWG. No.: C-90719

4. UPDATE TO STANDARDS	2/2/15 DT
3. UPDATED TO ANCHOR GLASS STANDARDS.	9-25-07 DT
2. REMOVED "TENTATIVE NOTE".	2-14-97 GM
1. ADDED ITEM NO.	11-7-95 DB
REVISIONS	