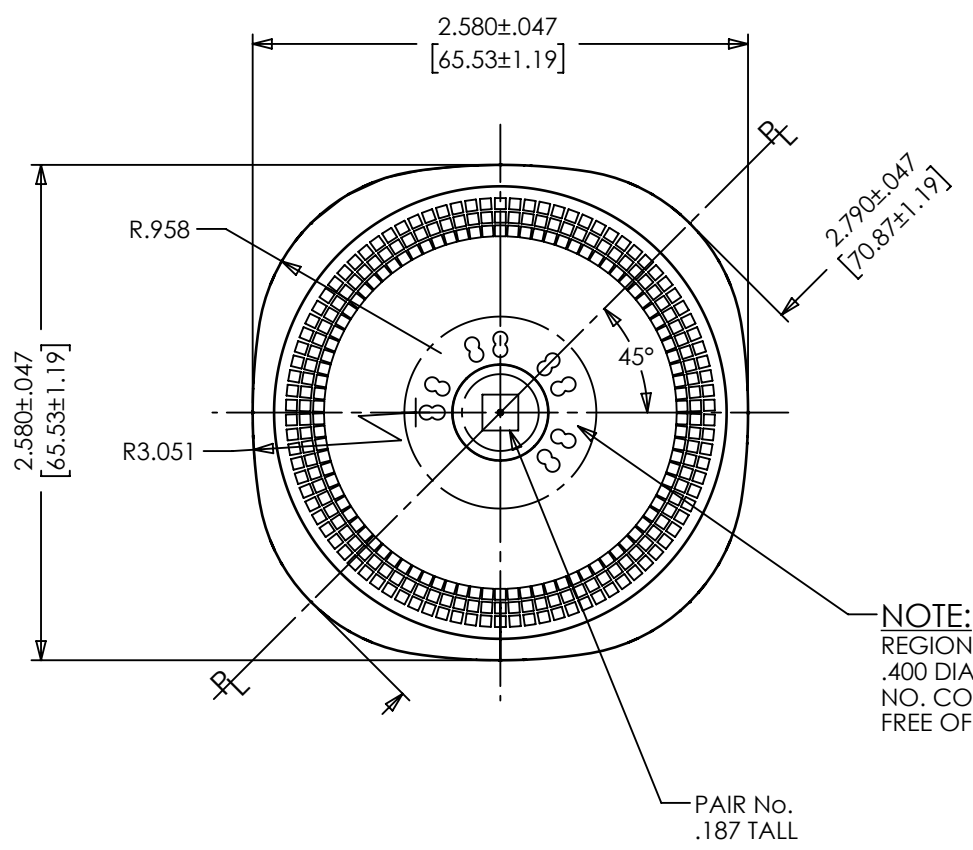
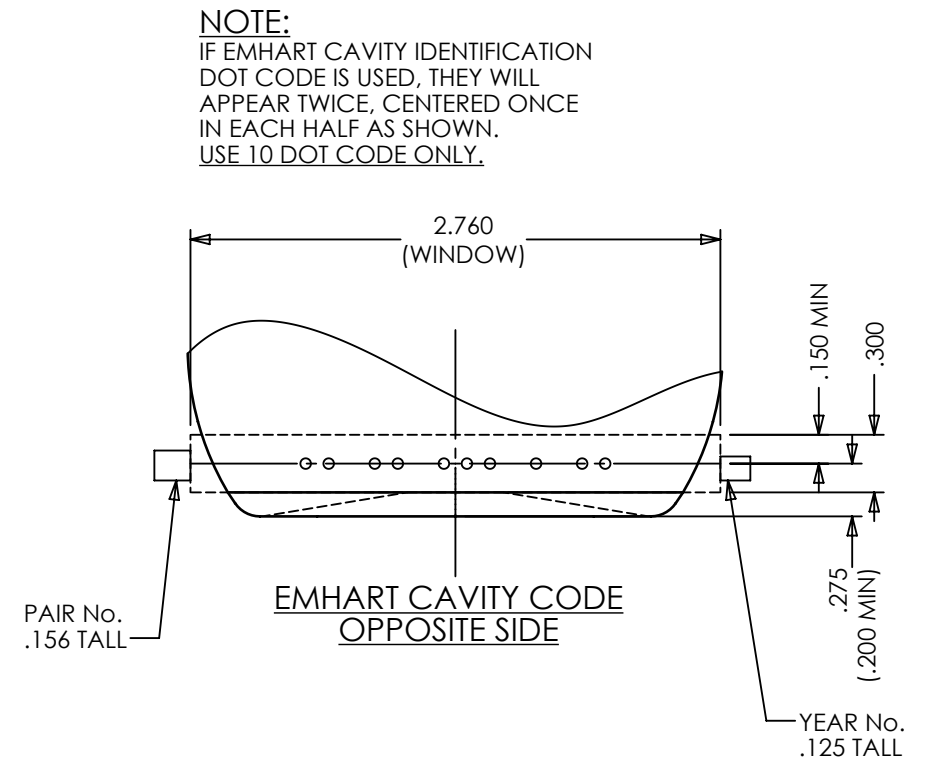
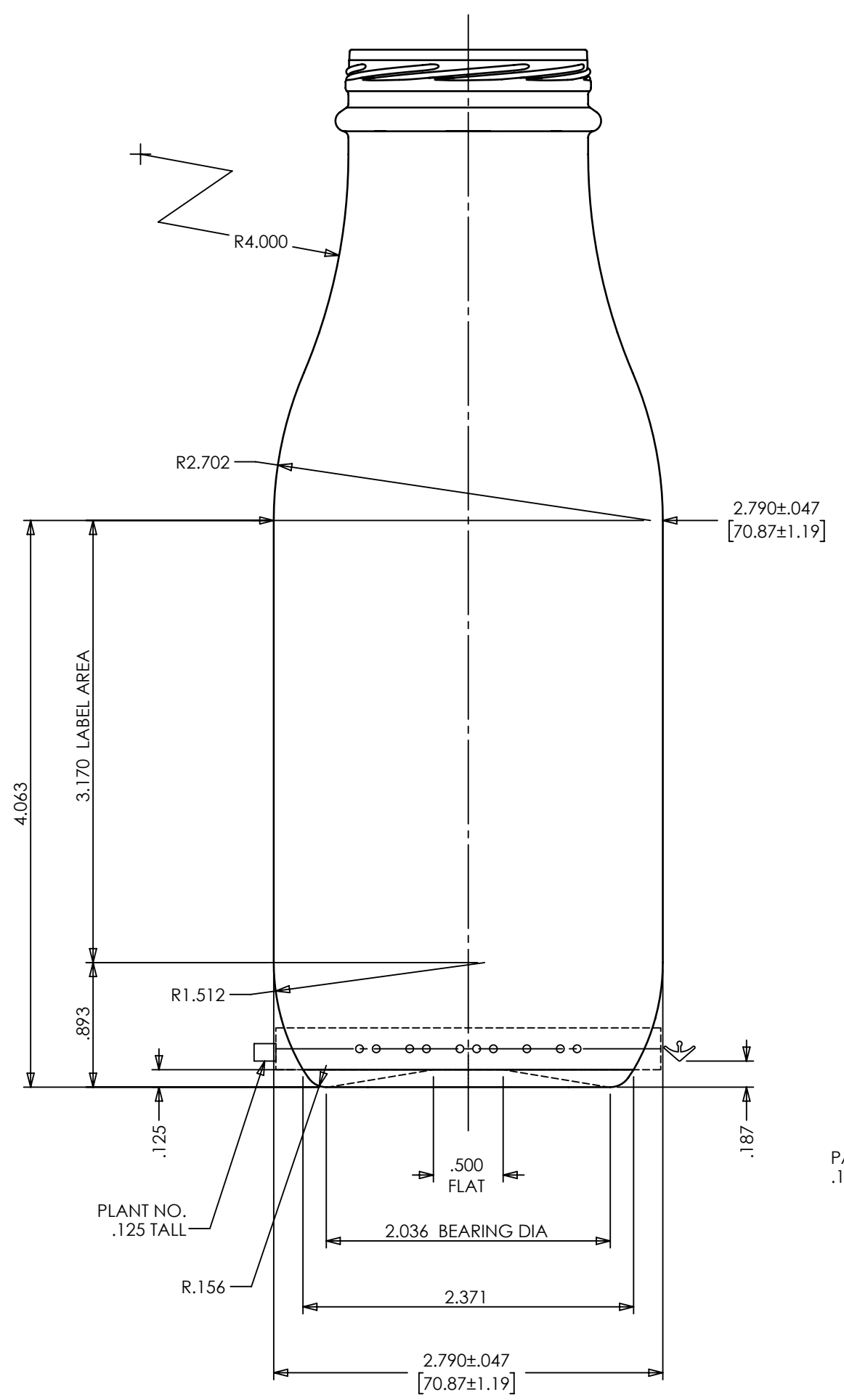
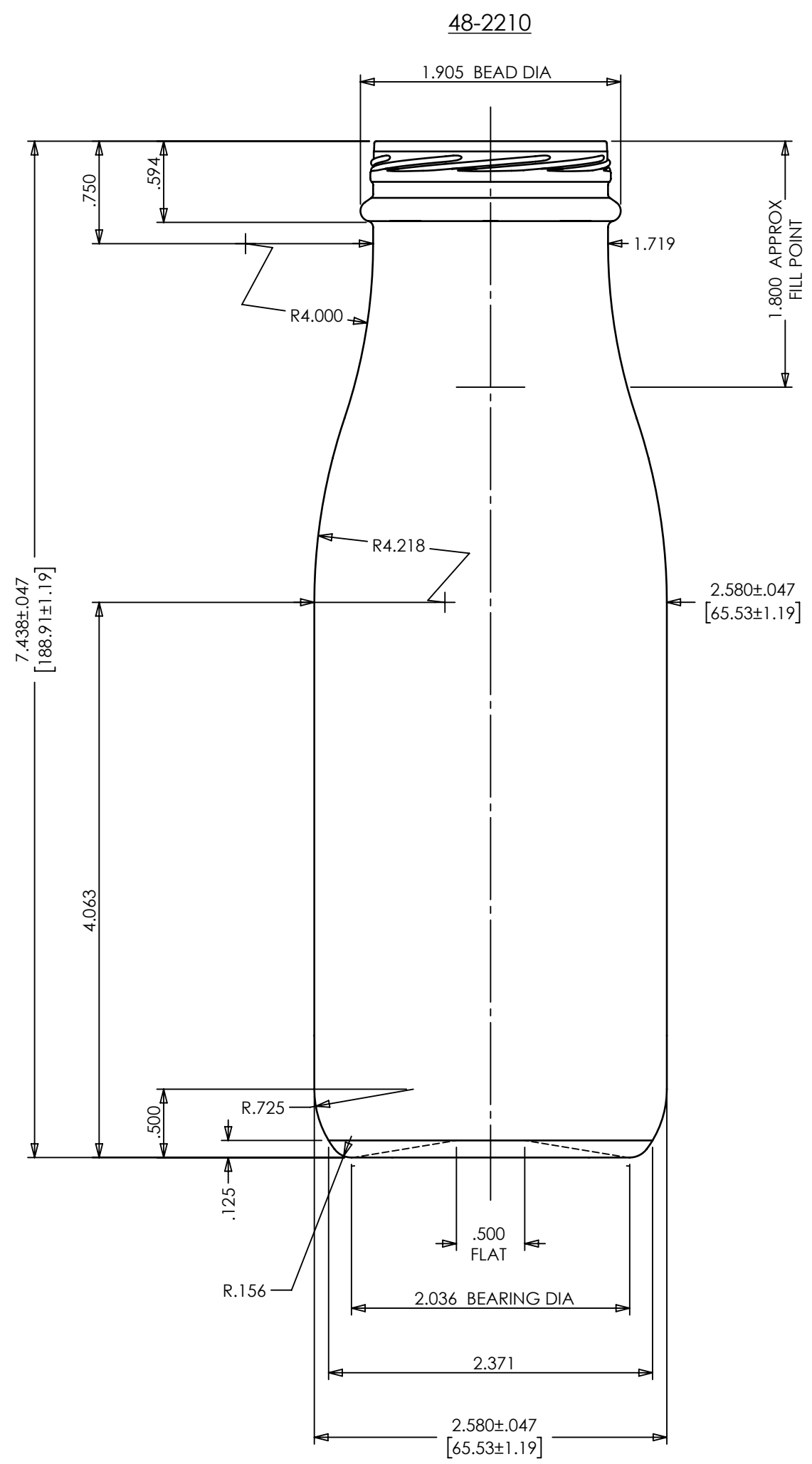


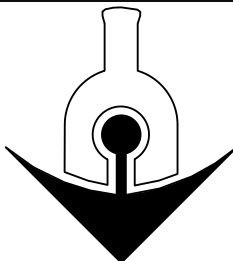
THIS DOCUMENT IS CONFIDENTIAL AND CONTAINS PROPRIETARY INFORMATION AND INTELLECTUAL PROPERTY INCLUDING, BUT NOT LIMITED TO, TRADEMARKS, COPYRIGHTS, TRADE SECRETS, AND KNOW-HOW OF ANCHOR GLASS. THIS INFORMATION MAY NOT BE USED, DISCLOSED OR REPRODUCED, IN WHOLE OR IN PART, WITHOUT THE PRIOR WRITTEN CONSENT OF ANCHOR GLASS. TITLE IN AND TO THIS DOCUMENT AND ALL INFORMATION CONTAINED HEREIN REMAINS AT ALL TIMES IN ANCHOR GLASS.



HEEL LETTERING: ROUND NOSE STYLE, RAISED .012"
 KNURLING: BPK-180 KNURL TO APPEAR ON BEARING SURFACE
 BOTTOM LETTERING: ROUND NOSE STYLE
 TRADEMARK: No. 00

NOTES:
 OVERALL HEIGHT: 7.438" (188.91mm)
 LARGEST ACROSS FLATS: 2.580" (65.53mm)
 LARGEST ACROSS CORNERS: 2.790" (70.87mm)
 THEORETICAL TIP ANGLE > 17° 49'
 HEADSPACE: 13%
 THEORETICAL C.O.G: 3.169" UP FROM BASE OF BOTTLE

REV	DESCRIPTION	DATE	APPROVED
4	REMOVED TENT. NOTE & FILL PT WAS 1.719 PER SAMPLING	11/21/17	S.THOMAS
3	ADDED CAVITY IDENTIFICATION CODE TO BOTTOM OF ITEM	10/2/17	S.THOMAS
2	ADDED ITEM NUMBER	8/29/17	S.THOMAS
1	INCREASED WEIGHT FROM 8.500, ADJUSTED HEIGHT & SHOULDER PER CUSTOMER REQUEST	6/8/17	S.THOMAS



ANCHOR GLASS CONTAINER

TAMPA, FLORIDA

DESIGN/ENGINEERING		DESCRIPTION:	
SIZES & SPECIFICATIONS SHOWN ARE IDEAL ACTUAL SAMPLES WILL DETERMINE SIZES		GENERAL SALE	
SCALE: 1:1	SHAPE CODE: 20	13.7 FL OZ RETORT	
OVERFLOW: 15.480± .219 FL OZ 457.80± 6.48 MLS		ITEM No.: 21579	
NOMINAL CAPACITY: 13.700± .219 FL OZ 405.16± 6.48 MLS		DATE: 5/16/17	
WEIGHT: 9.000± .375 OZS 255.15± 10.63 GRAMS		DRN BY: S. Thomas	
PROJECT No: 21227		PB	DWG No: B-97506
REFERENCES: FR-42397-1 & B-96650			

REVISIONS