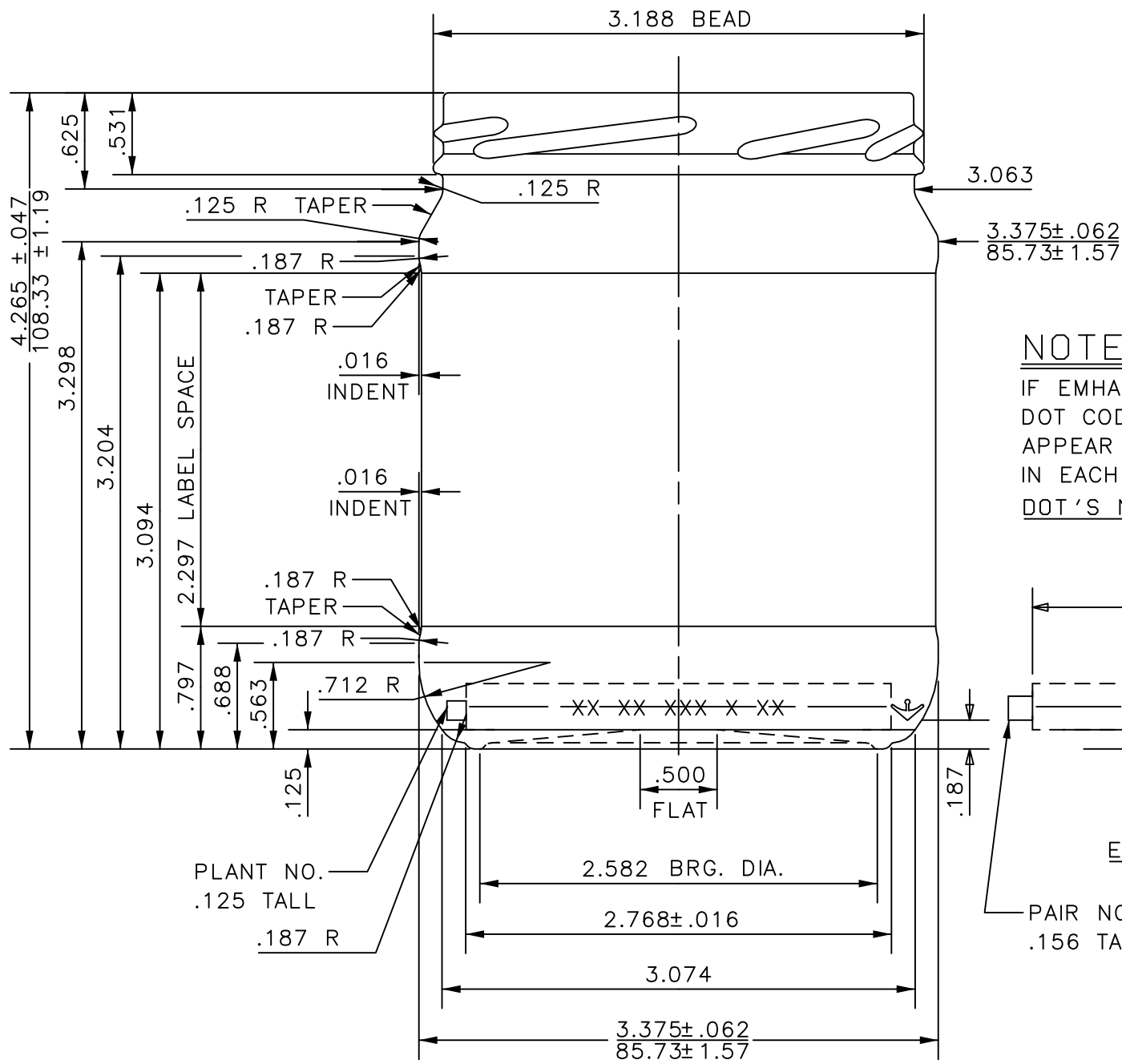
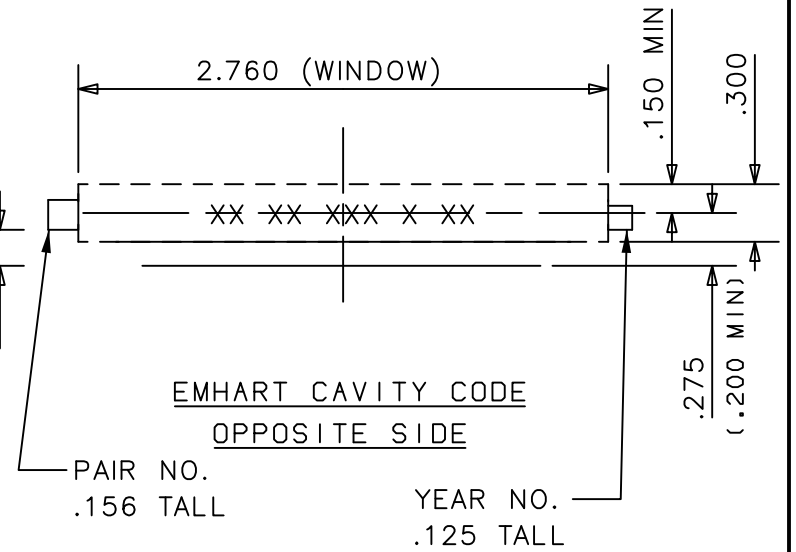


82MM-2040 A



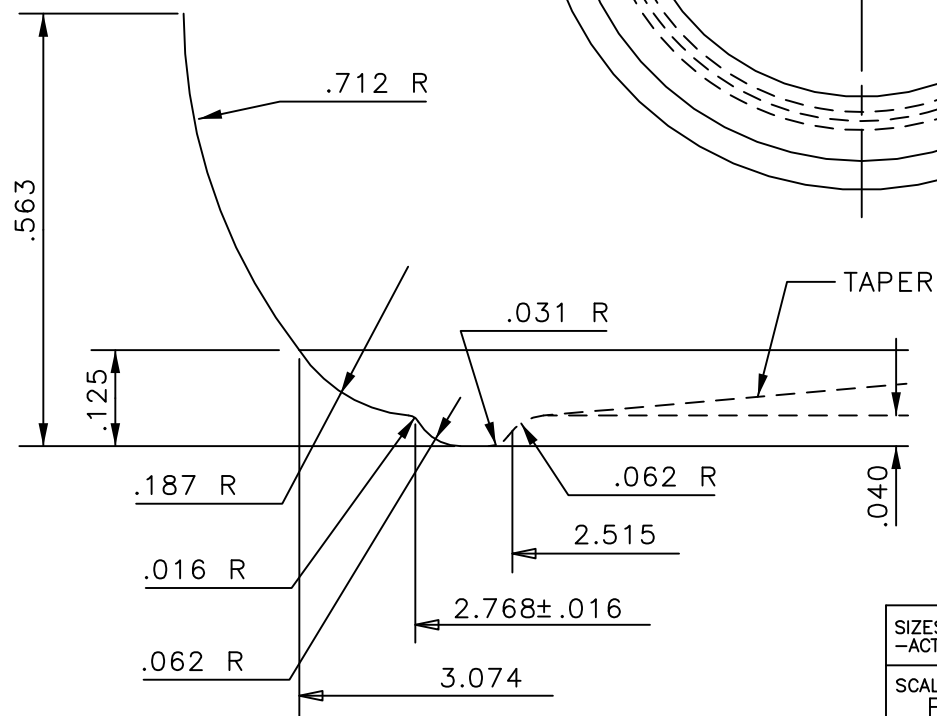
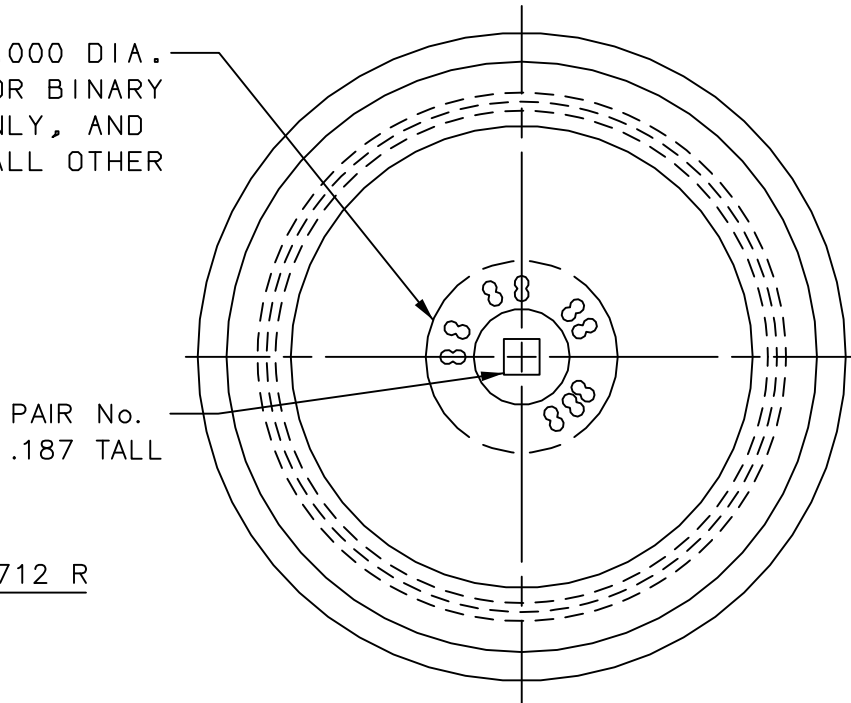
NOTE :

IF EMHART CAVITY IDENTIFICATION DOT CODE IS USED, THEY WILL APPEAR TWICE, CENTERED ONCE IN EACH HALF AS SHOWN.
DOT'S NOT TO BE IN CONTACT



NOTE :

REGION BETWEEN 1.000 DIA. & .400 DIA. IS FOR BINARY CAVITY CODE No. ONLY, AND MUST BE FREE OF ALL OTHER LETTERING.



STACKING DETAIL
SCALE 4 TO 1

KNURLING: BPK 180 ON BEARING SURFACE.
 BOTTOM LETTERING: ROUND NOSED.
 TRADEMARK: No.00.
 HEEL LETTERING: ROUND NOSED.

NOTE !

OVERALL HEIGHT ----- 4.265"(108.33mm)
 LARGEST DIAMETER ----- 3.375"(85.73mm)

NOTE: THEORETICAL TIP ANGLE > 32° 50'.
 THEORETICAL C.O.G. = 2.000" UP FROM BTM OF BTL.

SIZES & SPECIFICATIONS SHOWN ARE IDEAL
 -ACTUAL SAMPLES WILL DETERMINE SIZES.

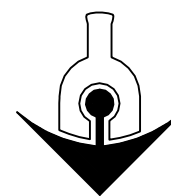
SCALE: FULL SIZE SHAPE CODE: 10

OVERFLOW:
 16.509 ±.250 FL OZ
 488.23 ±7.39 ML

FILL POINT OR NOMINAL CAPACITY:

WEIGHT: 8.172 OZ
 231.7 G

PROJECT No. 20604 P/B
 O-I FR-43493-1



ANCHOR GLASS
CONTAINER

DESIGN/ENGINEERING

TAMPA, FLORIDA

GENERAL SALE
 16 oz. JAR

ITEM No. 21678

DATE 4-11-12

DRN. BY J. Lode

1. REMOVED "TENTATIVE DESIGN" NOTE 7/5/12 SODE
 REVISIONS

DWG. No.: C-96284