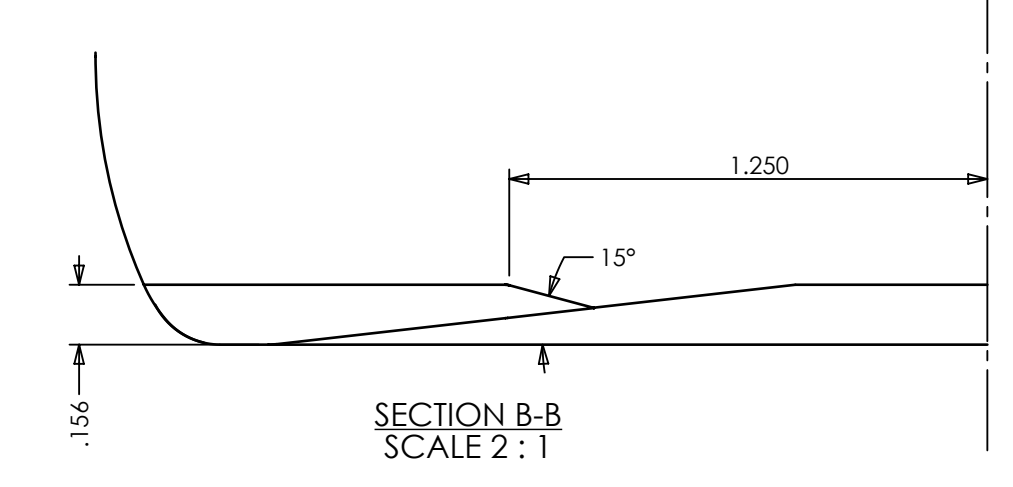
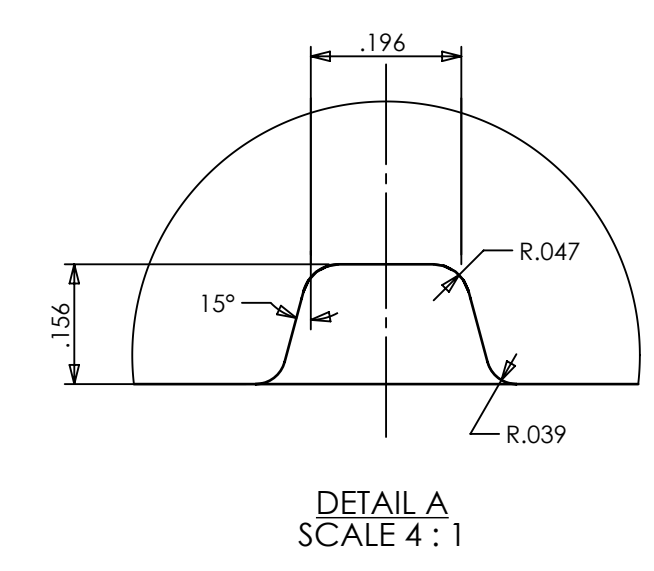
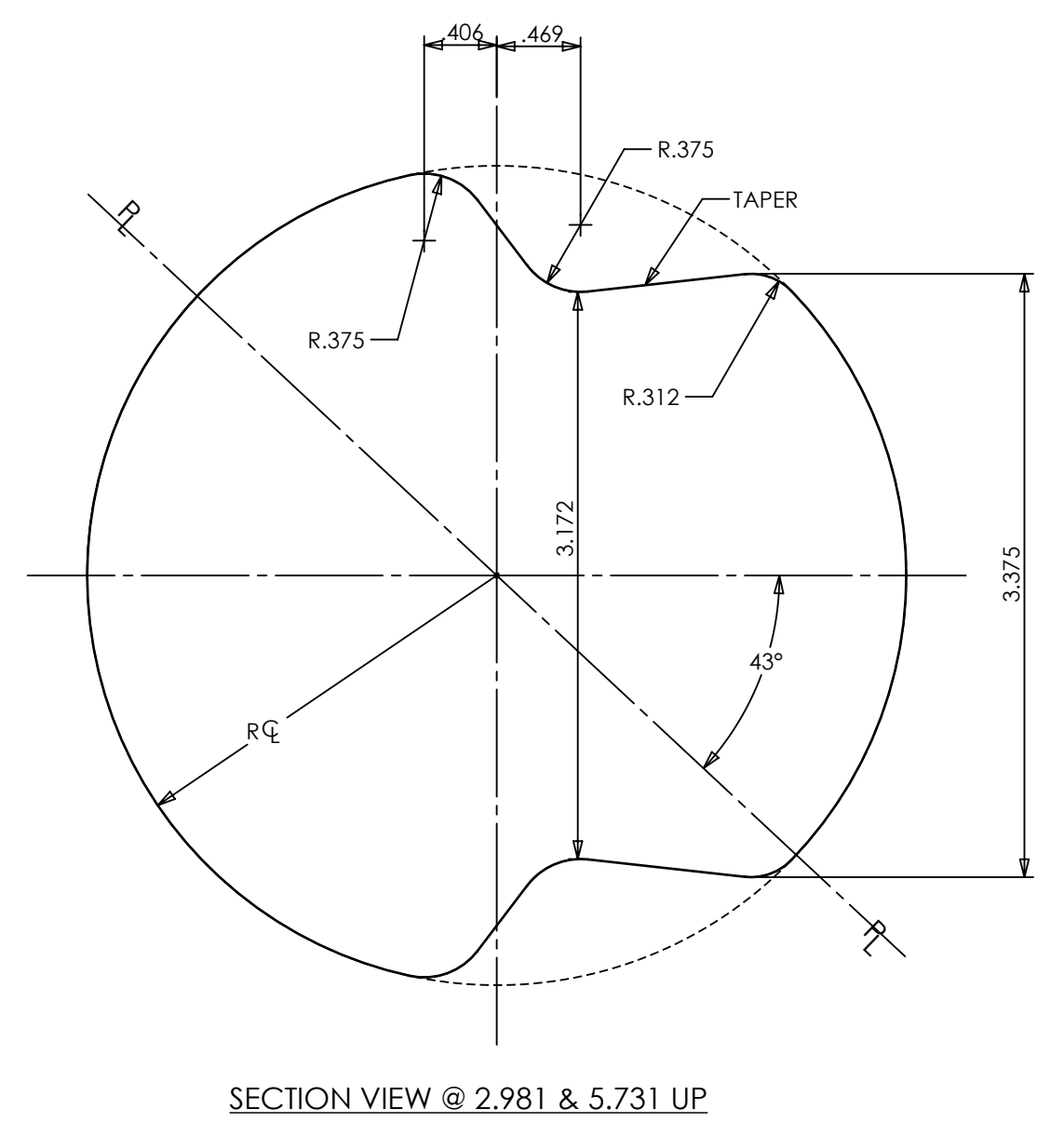
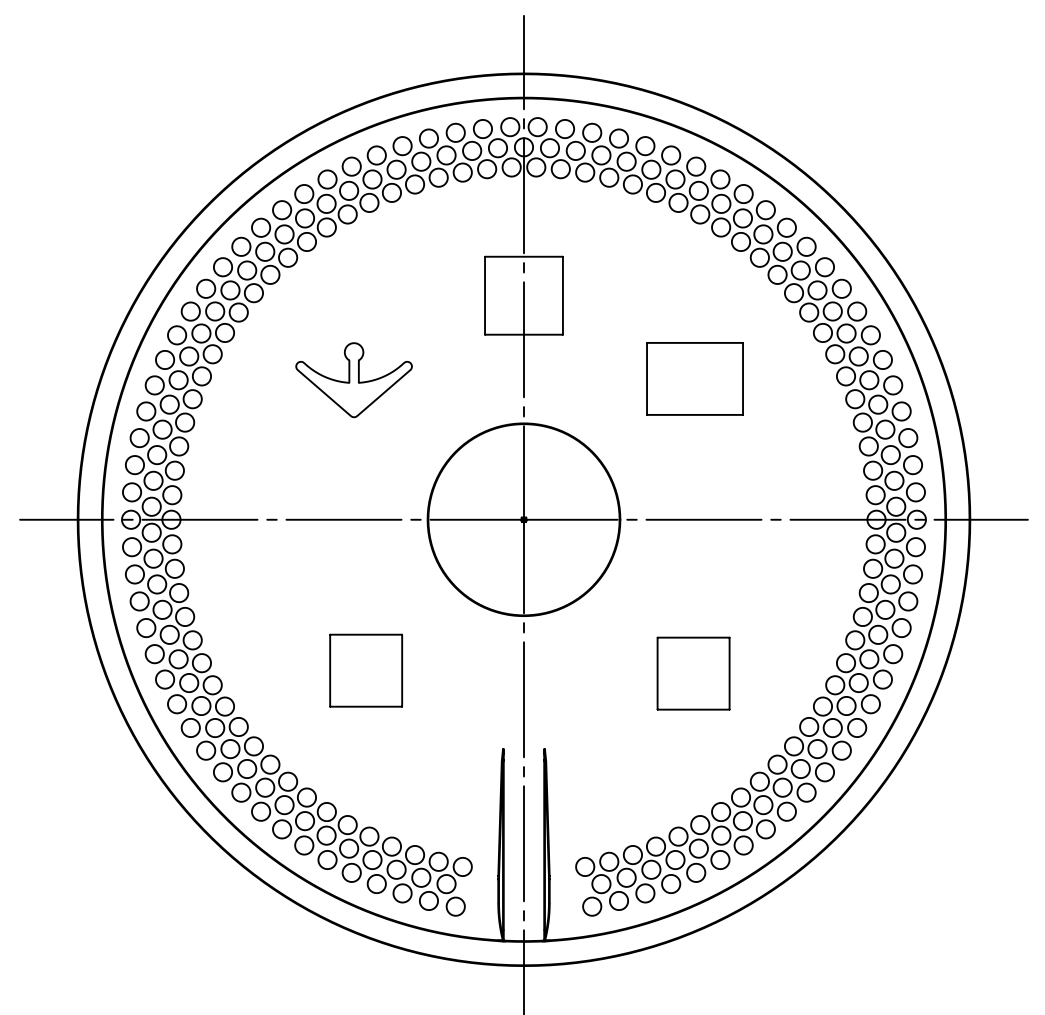
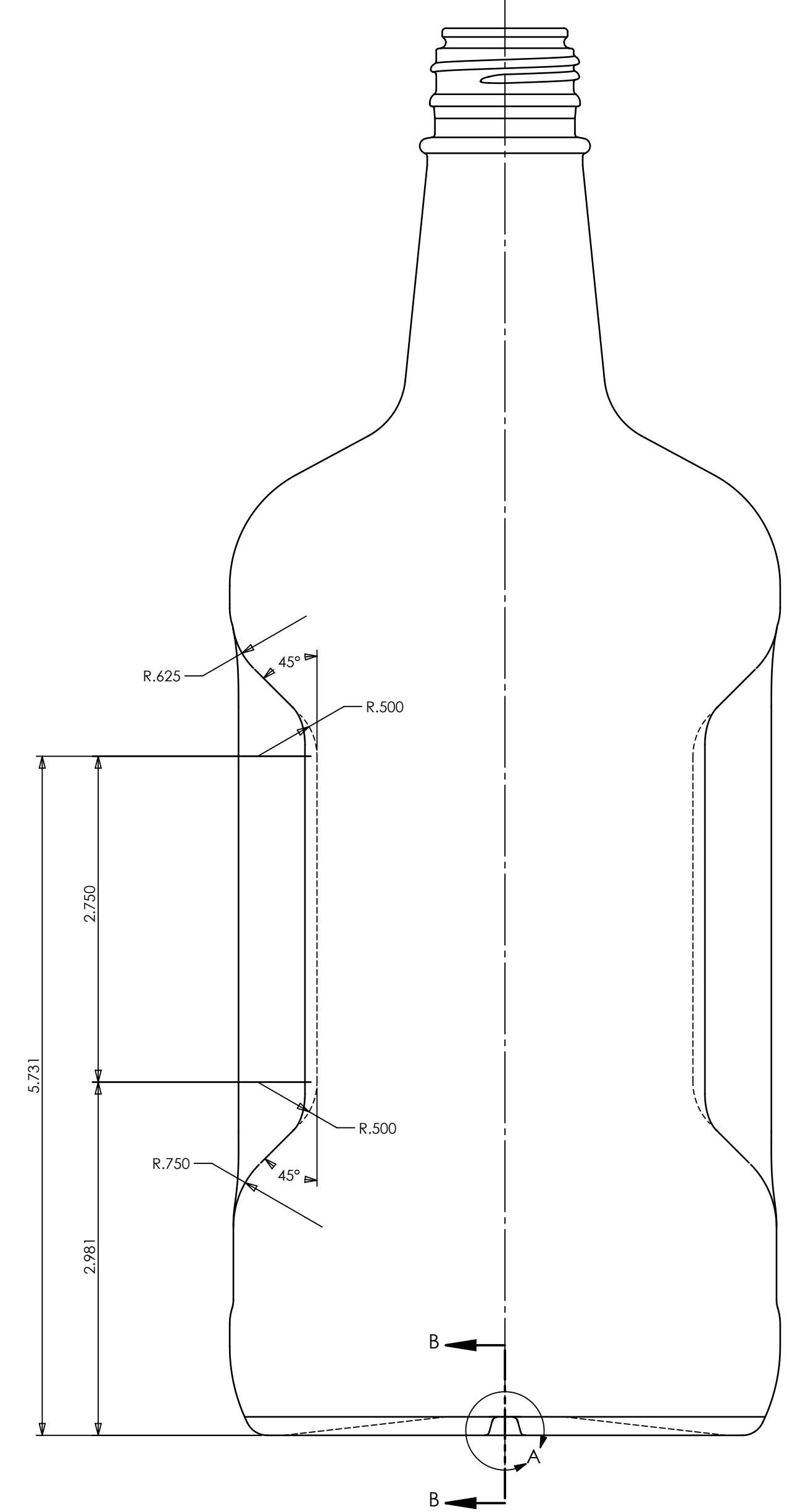
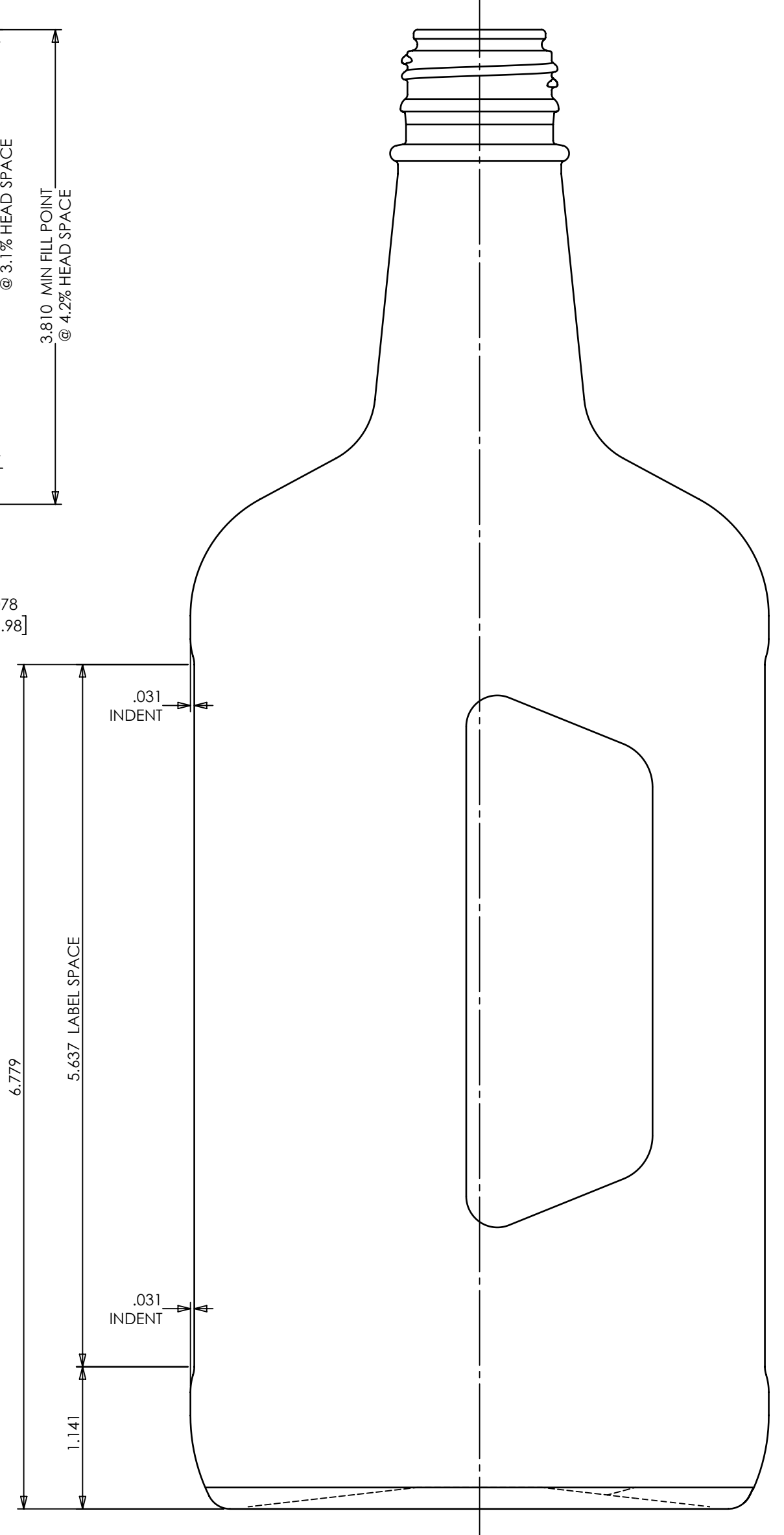
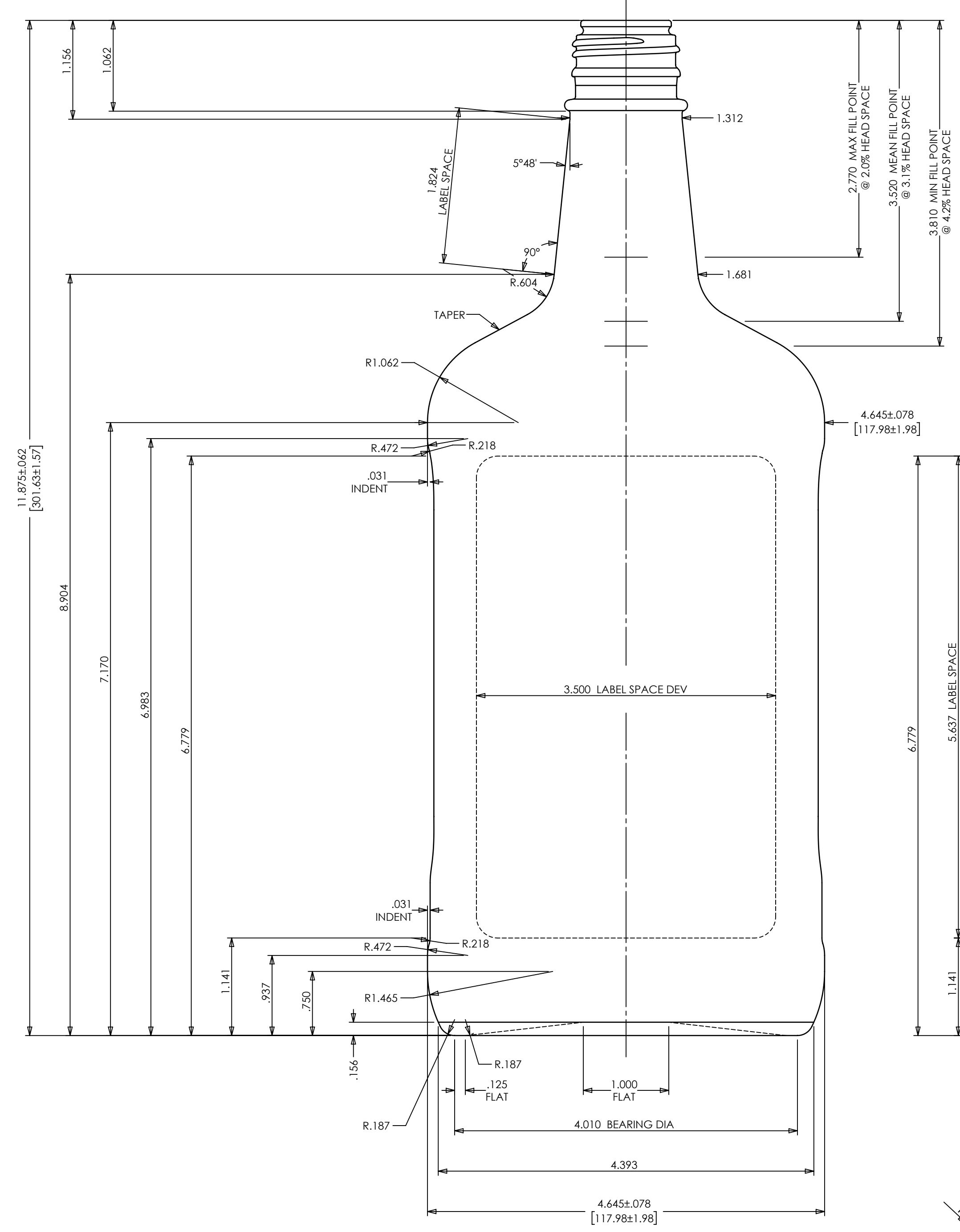


33-360 F  
C-85992



KNURLING: BALL KNURL TO APPEAR ON BEARING SURFACE  
 SPOTTING FEATURE: AS SHOWN  
 BOTTOM LETTERING: ROUND NOSE STYLE, USE LAYOUT #5  
 CAPACITY LETTERING: CAPACITY LETTERING DOES NOT APPEAR ON THIS CONTAINER. CUSTOMER'S LABEL MUST INCLUDE NET CONTENT STATEMENT.

**NOTES:**  
 OVERALL HEIGHT: 11.875" (301.63mm)  
 LARGEST DIAMETER: 4.645" (117.98mm)  
 THEORETICAL TIP ANGLE > 24° 12'  
 THEORETICAL C.O.G: 4.462" UP FROM BASE OF BOTTLE

		<b>ANCHOR GLASS CONTAINER</b>	
DESIGN/ENGINEERING		TAMPA, FLORIDA	
SIZES & SPECIFICATIONS SHOWN ARE IDEAL ACTUAL SAMPLES WILL DETERMINE SIZES			
SCALE: 1:1	STOCK CODE: 16	GENERAL SALE	
OVERFLOW: APPROX 61.000± .625 FL OZS 1803.98± 18.48 ML		1.75 LITER STOCK PINCH GRIP	
NOMINAL CAPACITY: 59.180± .625 FL OZS 1750.00± 18.48 ML		ITEM No.: <b>959H2</b>	
WEIGHT: 33.000 OZS 935.53 GRAMS	DATE: 1/27/17		DRN BY: S. Thomas
PROJECT No: 21199	DWG No: <b>A-97437</b>		BB
REFERENCES: 959DB			

REV	DESCRIPTION	DATE	APPROVED
3	REMOVED TENTATIVE NOTE - ADJUSTED FILL POINTS	4/26/17	D.TAYLOR
2	CHANGED "H" FROM 44" OFF Q TO 43" FOR BETTER MANUFACTURABILITY	2/20/17	S.THOMAS
1	FINISH WAS 33-360 C	2/15/17	S.THOMAS
REVISIONS			