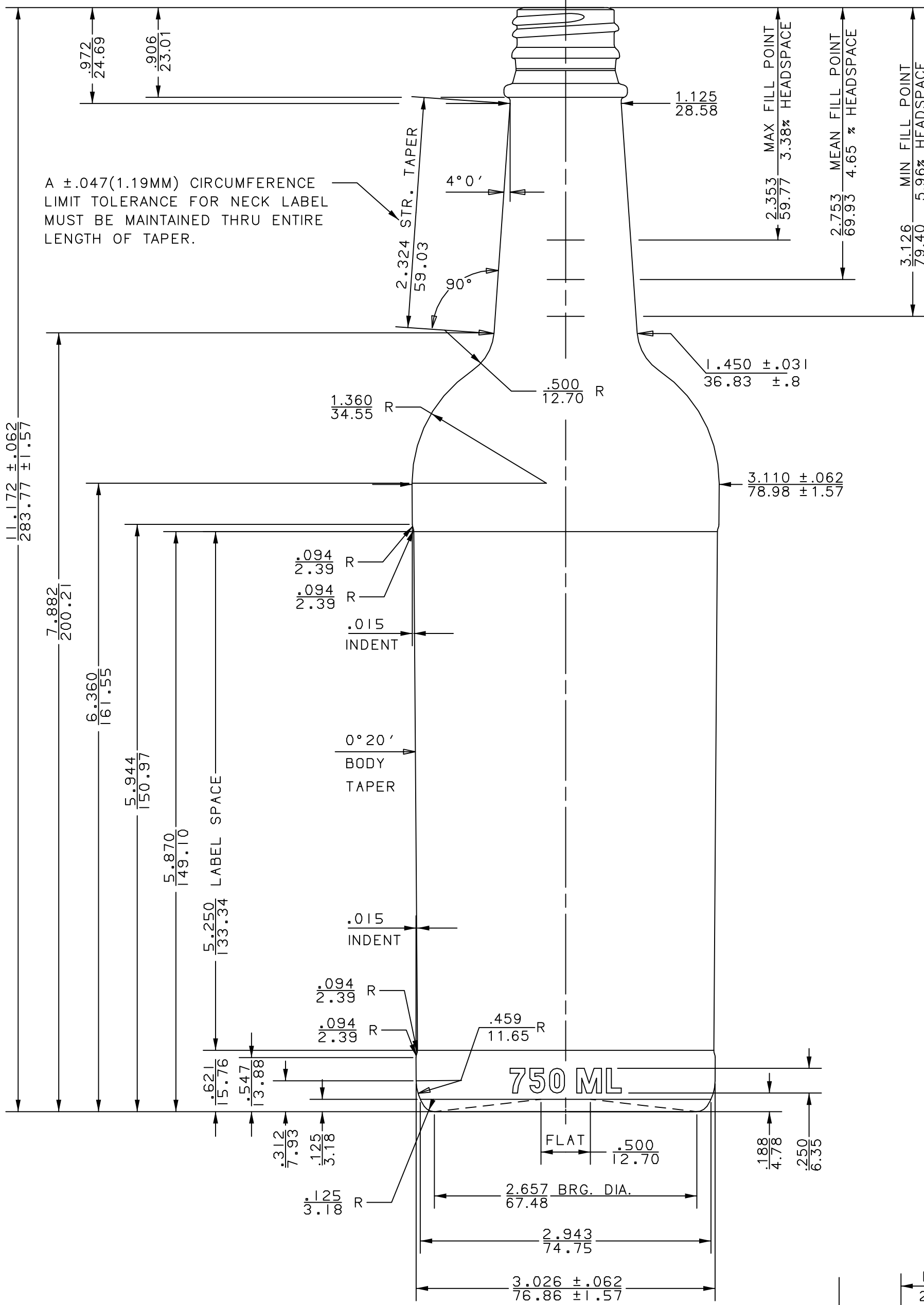
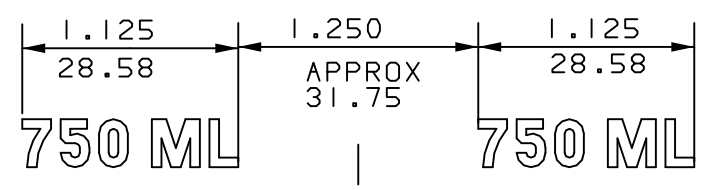
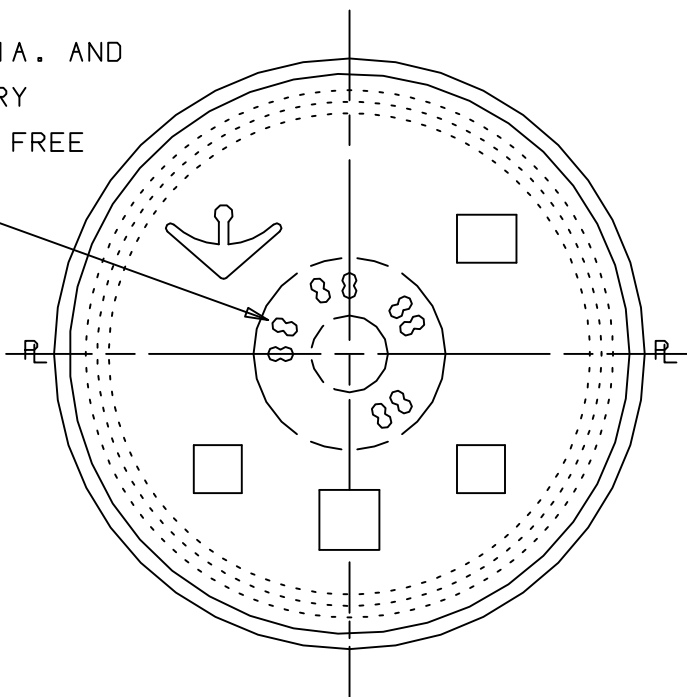


28-3500 E
C-87810



A ±.047(1.19MM) CIRCUMFERENCE LIMIT TOLERANCE FOR NECK LABEL MUST BE MAINTAINED THRU ENTIRE LENGTH OF TAPER.

NOTE:
REGION BETWEEN 1.000 (25.4 MM) DIA. AND .400 (10.2 MM) DIA. IS FOR BINARY CAVITY No. CODE ONLY, AND MUST BE FREE OF ALL OTHER LETTERING.



LETTERING ON OPPOSITE SIDE

HEEL LETTERING: TO APPEAR A TOTAL OF THREE TIMES AROUND BOTTLE. ONCE CENTERED IN ONE HALF & TWICE MORE IN OTHER HALF AS SHOWN. ROUND NOSED RAISED .015 IN GLASS.
KNURLING: No.160 B.P.K. ON BEARING SURFACE.
BOTTOM LETTERING: ROUND NOSED STYLE, USE LAYOUT #4.
TRADEMARK: No.2.

BLOW MOULD TO 925TZ

NOTE!

OVERALL HEIGHT ----- 11.172" (283.77mm)
LARGEST DIAMETER ----- 3.110" (78.98mm)

13. REMOVED 30-1610 FINISH	8/9/12 SODE
12. ADDED THE 30-1610 FINISH PER CUSTOMER REQUEST	06/08/12 SODE
11. CORRECTED NECK TAPER LENGTH, WAS 2.334	1/10/08 SODE
10. WEIGHT WAS 13:500 OZ, REV PER PRODUCTION	8/31/06 SODE
9. REVISED FINISH WAS 28-3500X WITH A .256 J-DIM. AND UPDATED TITLE BLOCK.	12-10-2001 DT
8. UPDATED TITLE BLOCK & CHANGED FINISH DESIGNATION WAS 28-3500.ES-90815.	02/08/02 CNM
7. ADDED BOTTOM LETTERING.	8-14-95 GM
6. REVISED HEEL LETTERING & ADDED NOTE	6-15-95 DAS
5. ADDED LABEL INDENT & REV. BODY SIZES	1-30-95 S.
4. ADDED ITEM No., WAS 26.313 O'FLOW, ADJ. MIN. & MAX. F.P. & H.S. %'S.	11-18-94 DB
3. MOVED BOTTOM LETTERING TO HEEL.	2-18-94 DB
2. WGT. WAS 13.000 OZ., INCR. BODY DIA. .012.	2-11-94 DB
1. REMOVED SPOTTING BAR.	1-28-94 DB

SIZES & SPECIFICATIONS SHOWN ARE IDEAL - ACTUAL SAMPLES WILL DETERMINE SIZES.	
SCALE: FULL	SHAPE CODE: 10
OVERFLOW: APPROX. 26.541 ±.312 FL OZ 784.90 ±9.23 ML	
FILL POINT OR NOMINAL CAPACITY: 25.361 ±.312 FL OZ 750.00 ±9.23 ML	
WEIGHT: 14.000 OZ 396.94 G	
PROJECT No. 12282	NNPB
DATE 12-22-93	DRN. BY D. J. Pierce



DESIGN/ENGINEERING TAMPA, FLORIDA
GENERAL SALE
750 ML LIQUOR BOTTLE
ITEM No. 925BL

DWG. No.: B-89295