


catalog


Proudly made
in the USA.



ANCHOR GLASS
CONTAINER

Excellence is in the details.

What is inside this catalog...

This catalog represents all the glass bottles and jars that are part of our current "Regularly Produced Materials" or RPM program.

If you do not see what you are looking for in this catalog, please contact us to see if what you are looking for could be an item that is "Mold Available". These items are not manufactured on a regular basis but can be ordered ahead of time.

If you are looking for a custom bottle, we have our New Product Development (NPD) team ready to work with you to create the custom mold to fit your needs.

Your Sales Representative can assist you with any of these. Please visit our website at www.anchorglass.com or reach out to salesgroup@anchorglass.com with any questions.

We are Anchor Glass.
We turn details into differences.

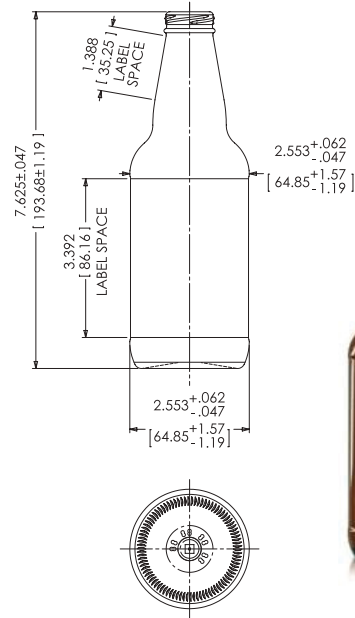
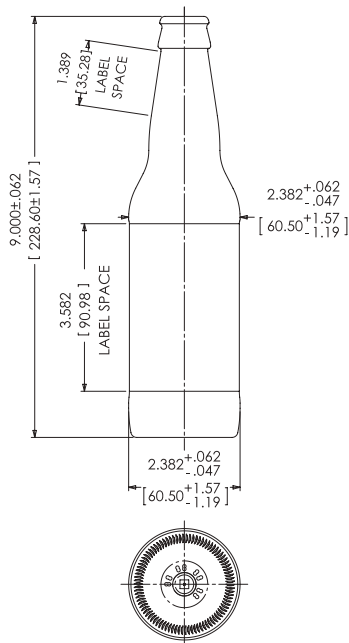


beer/
beverage

Exacting every element.

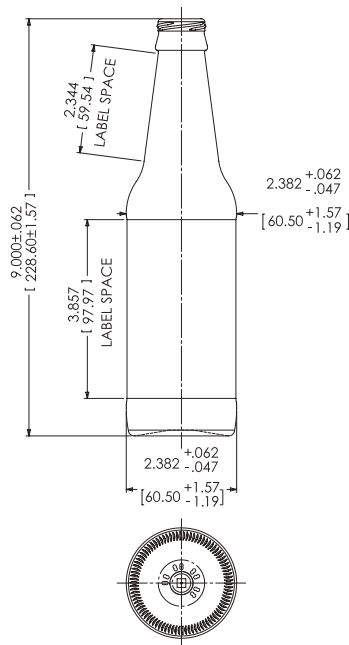
There's something to be said for the cool weight of glass in hand, and the beauty of condensation trickling over an embossed logo. Nothing refreshes like Anchor Glass.





ITEM	812V6A
description	12 fl oz Long-Neck (bulge neck) N/R Bottle
color	flint • amber
capacity	12.000 fl oz / 354.88 ml
weight	7.000 oz / 198.45 g
diameter/width	2.382 in / 60.50 mm
height	9.000 in / 228.60 mm
finish	26-502 • 26-611A

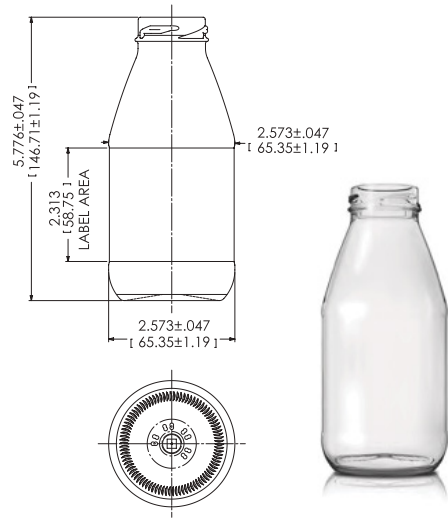
ITEM	812S2
description	12 fl oz Heritage Bottle
color	amber
capacity	12.000 fl oz / 354.88 ml
weight	6.160 oz / 174.50 g
diameter/width	2.553 in / 64.85 mm
height	7.625 in / 193.68 mm
finish	26-540 • 26-6511



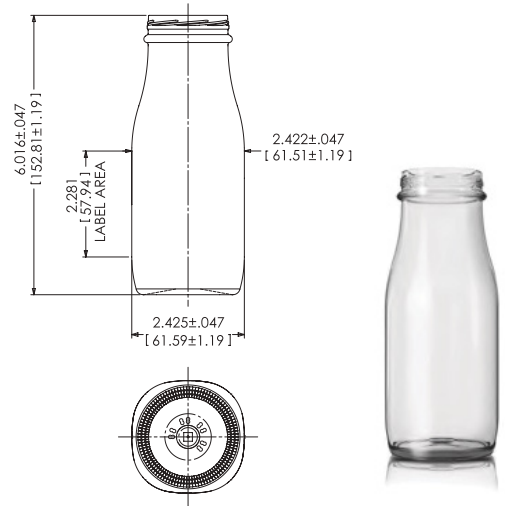
ITEM	812V9
description	12 fl oz Long-Neck N/R Bottle
color	flint • amber
capacity	12.000 fl oz / 354.88 ml
weight	7.000 oz / 198.45 g
diameter/width	2.382 in / 60.50 mm
height	9.000 in / 228.60 mm
finish	26-502 • 26-611A



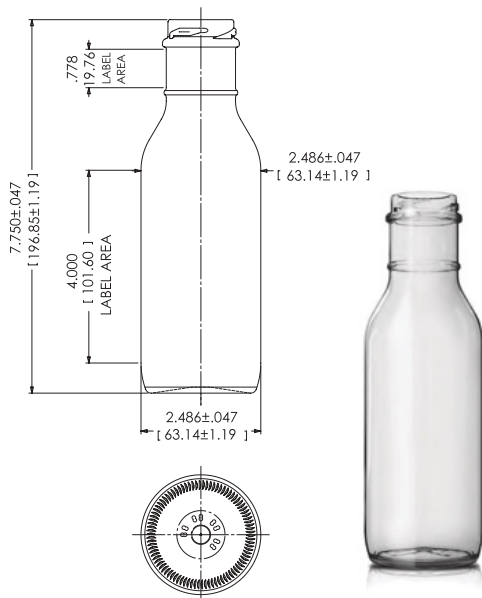
These items are a representative sampling of available items. If you don't see bottles that you are looking for, please contact your Account Representative.



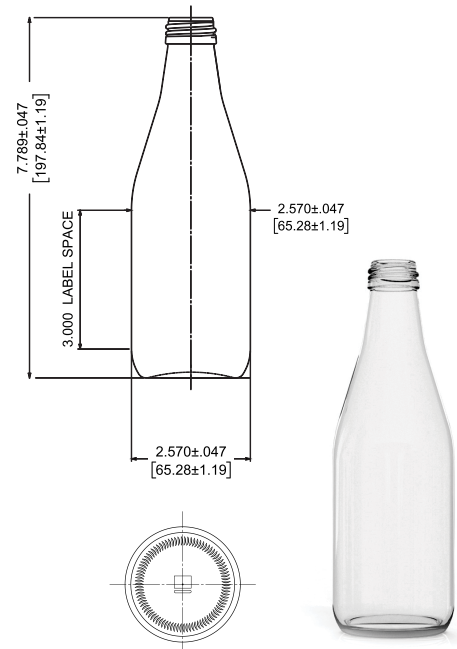
ITEM	11107
description	10 fl oz Juice Bottle
color	flint
capacity	10.150 fl oz / 300.17 ml
weight	5.500 oz / 155.93 g
diameter/width	2.573 in / 65.35 mm
height	5.776 in / 146.71 mm
finish	38-2000C



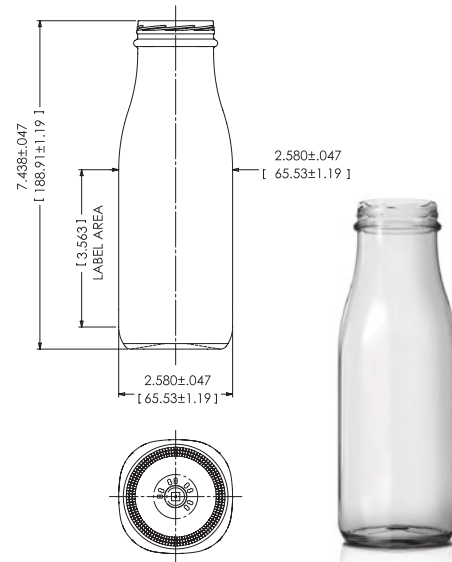
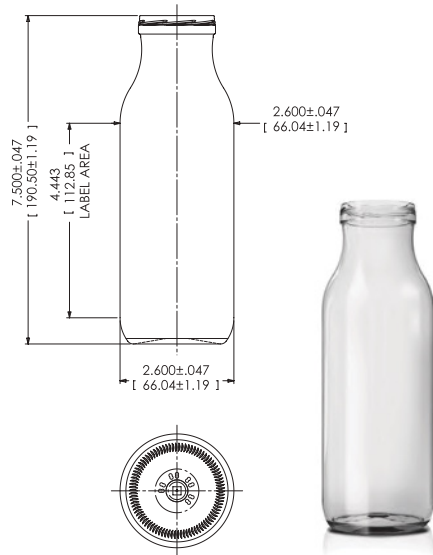
ITEM	21024
description	9.5 fl oz Retort Bottle
color	flint
capacity	9.500 fl oz / 280.95 ml
weight	7.000 oz / 198.45 g
diameter/width	2.425 in / 61.59 mm
height	6.016 in / 152.81 mm
finish	48-2210



ITEM	11328A
description	12 fl oz Ringneck Bottle
color	flint
capacity	12.000 fl oz / 354.88 ml
weight	8.750 oz / 248.06 g
diameter/width	2.486 in / 63.14 mm
height	7.750 in / 196.85 mm
finish	38-2000E • 38-405-915

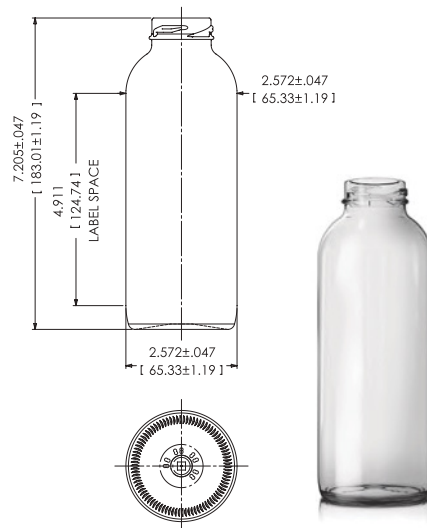


ITEM	61250
description	12 oz Beverage Bottle
color	flint
capacity	12 fl oz / 354.88 ml
weight	7.5 oz / 212.62 g
diameter/width	2.57 in / 65.28 mm
height	7.789 in / 197.84 mm
finish	28-1650 • 26-540J



ITEM	21570
description	13.7 fl oz Retort Bottle
color	flint
capacity	13.700 fl oz / 405.16 ml
weight	9.380 oz / 265.81 g
diameter/width	2.600 in / 66.04 mm
height	7.500 in / 190.50 mm
finish	48-2210A

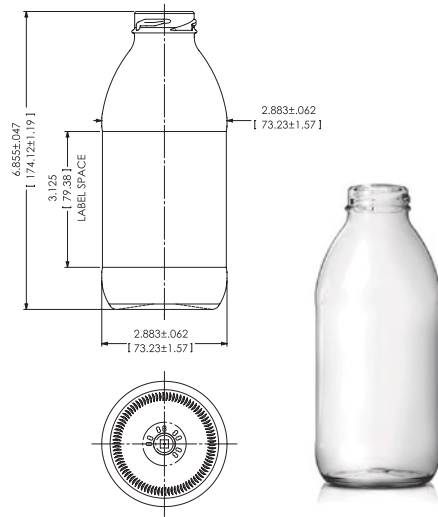
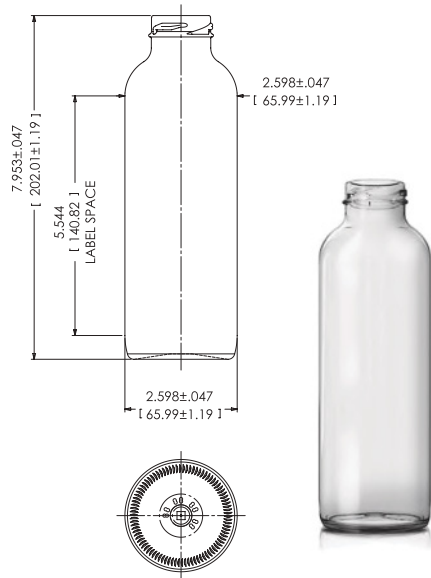
ITEM	21579
description	13.7 fl oz Retort Bottle
color	flint
capacity	13.700 fl oz / 405.16 ml
weight	9.000 oz / 255.15 g
diameter/width	2.580 in / 65.53 mm
height	7.438 in / 188.91 mm
finish	48-2210



ITEM	11411
description	14 fl oz Bullet Bottle
color	flint
capacity	14.000 fl oz / 414.02 ml
weight	8.900 oz / 252.59 g
diameter/width	2.572 in / 65.33 mm
height	7.205 in / 183.01 mm
finish	38-2000C • 38-1768 • 38-1650

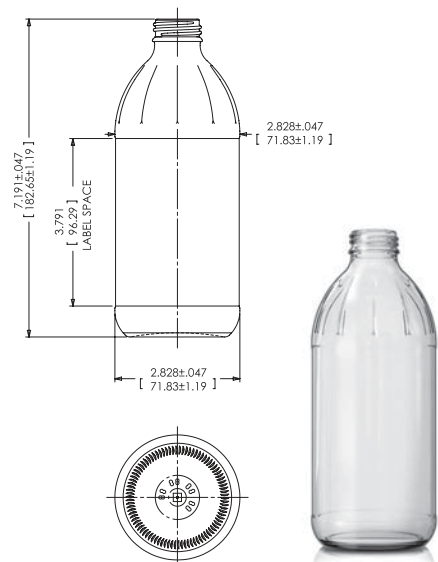
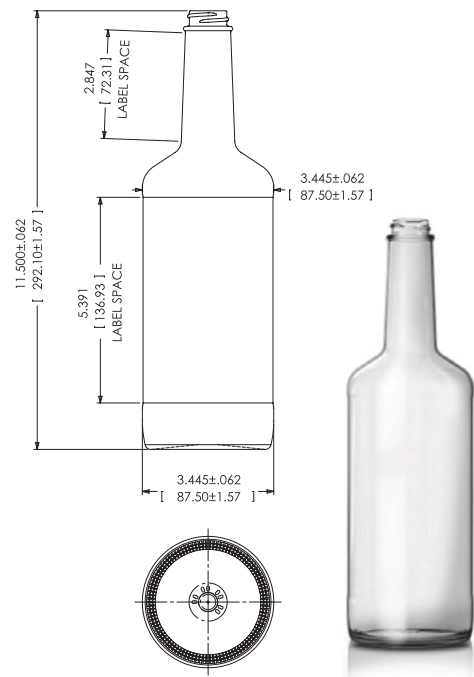


These items are a representative sampling of available items. If you don't see bottles that you are looking for, please contact your Account Representative.



ITEM	11761
description	16 fl oz Bullet Bottle
color	flint
capacity	16.000 fl oz / 473.18 ml
weight	9.130 oz / 258.70 g
diameter/width	2.598 in / 65.99 mm
height	7.953 in / 202.01 mm
finish	38-2000C • 38-1768

ITEM	11738
description	16 fl oz N/R Beverage
color	flint
capacity	16.000 fl oz / 473.18 ml
weight	8.000 oz / 226.80 g
diameter/width	2.883 in / 73.23 mm
height	6.855 in / 174.12 mm
finish	38-2000 • 38-307-268-1 38-1650 • 38-VHJ402-070



ITEM	13227
description	32 fl oz Mixer Bottle
color	flint
capacity	32.000 fl oz / 946.35 ml
weight	18.000 oz / 510.35 g
diameter/width	3.445 in / 87.50 mm
height	11.500 in / 292.10 mm
finish	28-405X • 30-2080

ITEM	11770
description	16 fl oz Container
color	flint
capacity	16.706 fl oz / 494.05 ml
weight	8.250 oz / 233.88 g
diameter/width	2.828 in / 71.83 mm
height	7.191 in / 182.65 mm
finish	28-1768 • 27-2000



These items are a representative sampling of available items. If you don't see bottles that you are looking for, please contact your Account Representative.

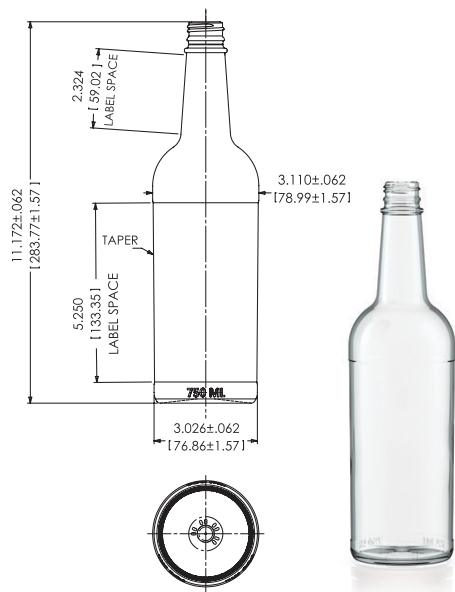
liquor

Given all the grand things life has in store for us,
the details are what differentiate.

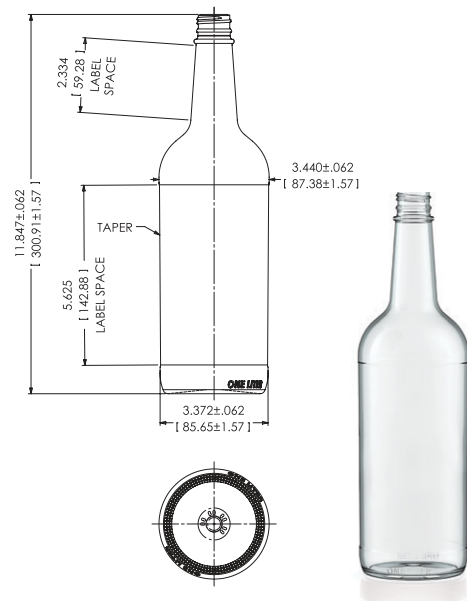
That level of attention compels us to make sure every
little thing we do is made exactly right, every time.



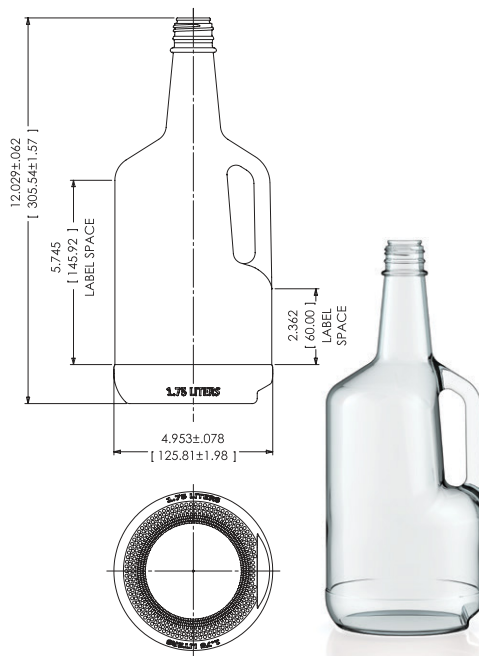
Classics



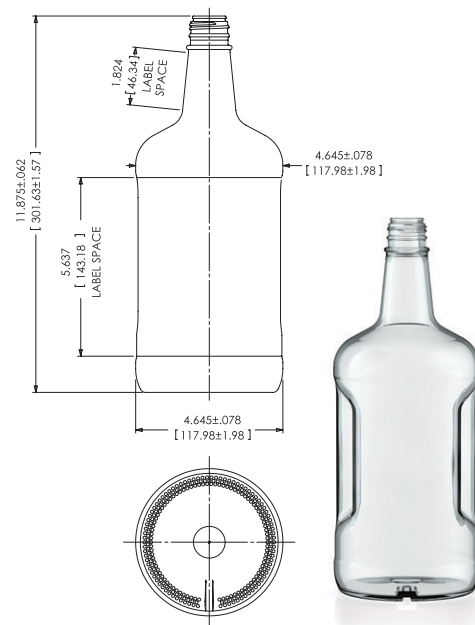
ITEM	925BL
description	750 ml Classic Round
color	flint
capacity	25.361 fl oz / 750.00 ml
weight	14.000 oz / 396.89 g
diameter/width	3.110 in / 78.99 mm
height	11.172 in / 283.77 mm
finish	28-3500



ITEM	934M8A
description	1 Liter Classic Round
color	flint
capacity	1 liter / 1000.00 ml
weight	16.500 oz / 467.77 g
diameter/width	3.440 in / 87.38 mm
height	11.847 in / 300.91 mm
finish	28-3500



ITEM	95927A
description	1.75 Liter Classic Handled
color	flint
capacity	1.75 liter / 1750.00 ml
weight	35.000 oz / 992.23 g
diameter/width	4.953 in / 125.81 mm
height	12.029 in / 305.54 mm
finish	33-360

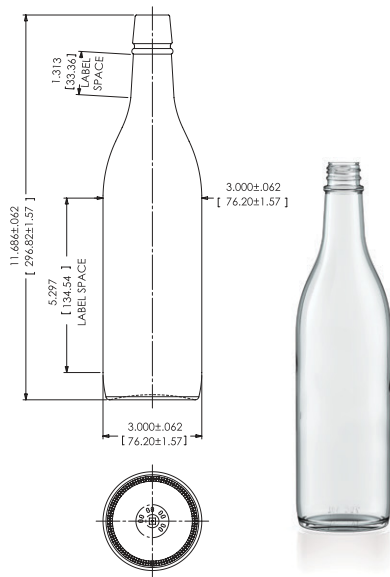


ITEM	959H2
description	1.75 Liter Classic Pinch Grip
color	flint
capacity	59.180 fl oz / 1750.00 ml
weight	33.000 oz / 935.53 g
diameter/width	4.645 in / 117.98 mm
height	11.875 in / 301.63 mm
finish	33-360

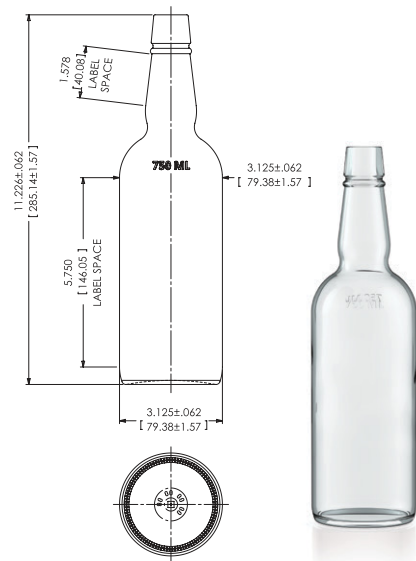


These items are a representative sampling of available items. If you don't see bottles that you are looking for, please contact your Account Representative.

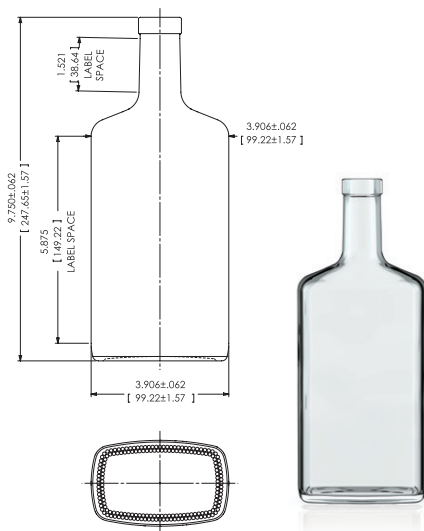
Craft



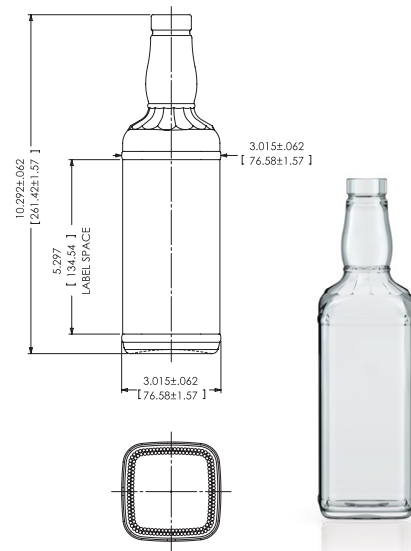
ITEM	VINTAGE (92515J)
description	750 ml Liquor Bottle
color	flint
capacity	25.361 fl oz / 750.00 ml
weight	15.750 oz / 446.50 g
diameter/width	3.000 in / 76.20 mm
height	11.686 in / 296.82 mm
finish	28mm-C-3104 • 28-3500 30-1610 • 28-3501



ITEM	VALIANT (92565C)
description	750 ml Liquor Bottle
color	flint
capacity	25.361 fl oz / 750.00 ml
weight	17.500 oz / 496.12 g
diameter/width	3.125 in / 79.38 mm
height	11.226 in / 285.14 mm
finish	28mm-C-3104 • 30-1615 30-1610 • 28-3500



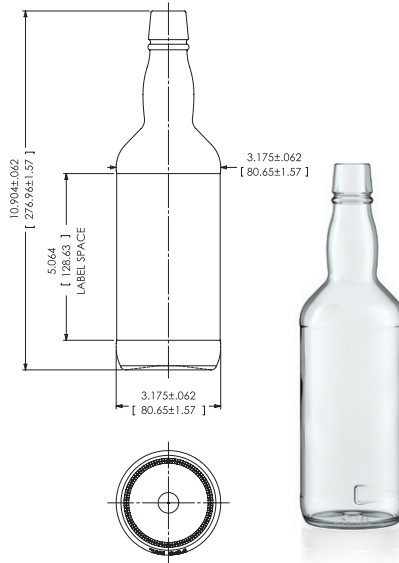
ITEM	AUSTERE (925WY)
description	750 ml Liquor Bottle
color	flint
capacity	25.361 fl oz / 750.00 ml
weight	20.000 oz / 566.99 g
diameter/width	3.906 in / 99.22 mm
height	9.750 in / 247.65 mm
finish	32mm-3120



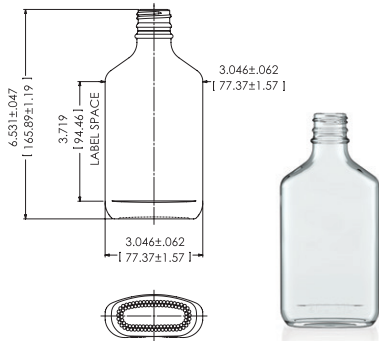
ITEM	RESERVE (925WQ)
description	750 ml Liquor Bottle
color	flint
capacity	25.361 fl oz / 750.00 ml
weight	17.250 oz / 489.03 g
diameter/width	3.015 in / 76.58 mm
height	10.292 in / 261.42 mm
finish	32mm-3120



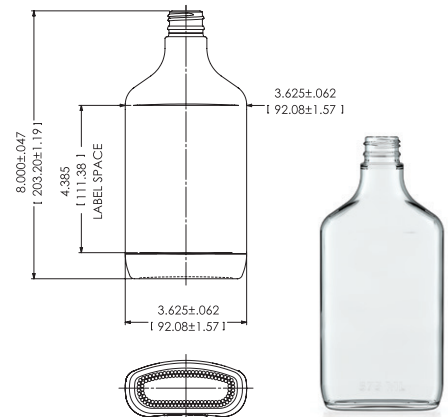
These items are a representative sampling of available items. If you don't see bottles that you are looking for, please contact your Account Representative.



ITEM	GALLANT (92583A)
description	750 ml Liquor Bottle
color	flint
capacity	25.361 fl oz / 750.00 ml
weight	16.000 oz / 453.59 g
diameter/width	3.175 in / 80.65 mm
height	10.904 in / 276.96 mm
finish	28mm-B-3104 • 28-3500 • 30-1615



ITEM	907C7
description	200 ml Classic Flask
color	flint
capacity	6.763 fl oz / 200.00 ml
weight	7.500 oz / 212.62 g
diameter/width	3.046 in / 77.37 mm
height	7.211 in / 165.89 mm
finish	28-3500



ITEM	913M4A
description	375 ml Classic Flask
color	flint
capacity	12.680 fl oz / 375.00 ml
weight	13.781 oz / 283.50 g
diameter/width	3.750 in / 92.08 mm
height	9.00 in / 203.20 mm
finish	28-3500

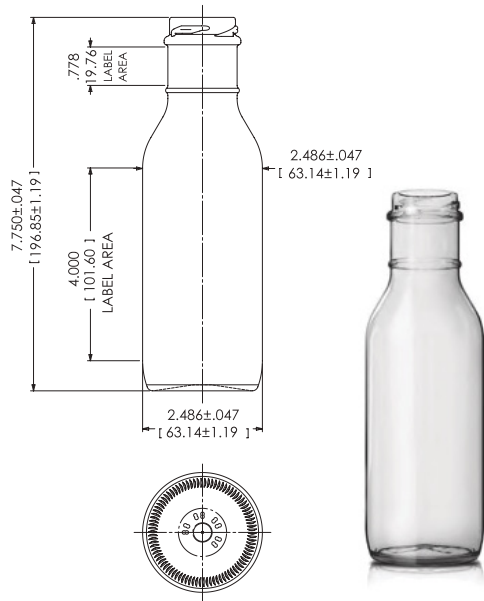


food

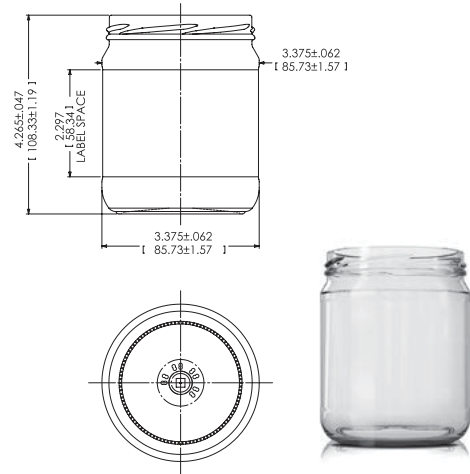
Surrounding every flavor
with precision and finesse.

All the colors, textures and flavors
that bring out the joy in others
bring out the best in our team.

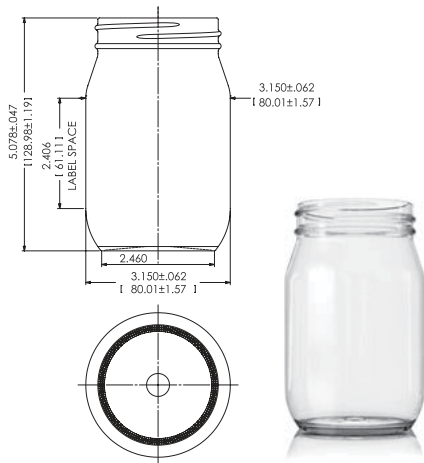




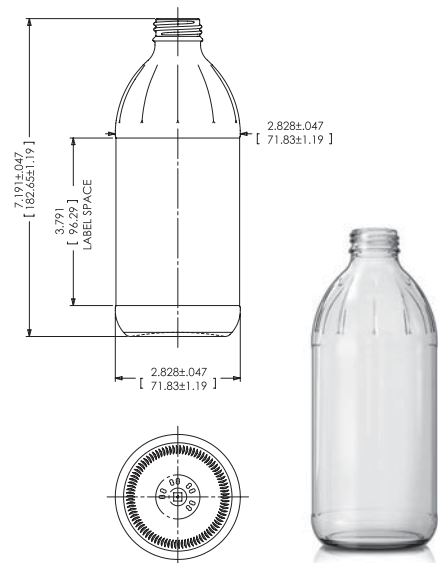
ITEM 11328A	
description	12 fl oz Ringneck Bottle
color	flint
capacity	12.000 fl oz / 354.88 ml
weight	8.750 oz / 248.06 g
diameter/width	2.486 in / 63.14 mm
height	7.750 in / 196.85 mm
finish	38-2000E • 38-405-915



ITEM 21678	
description	16 fl oz Round Jar
color	flint
capacity	16.509 fl oz / 488.23 ml
weight	8.172 oz / 231.67 g
diameter/width	3.375 in / 85.73 mm
height	4.265 in / 108.33 mm
finish	82-2040



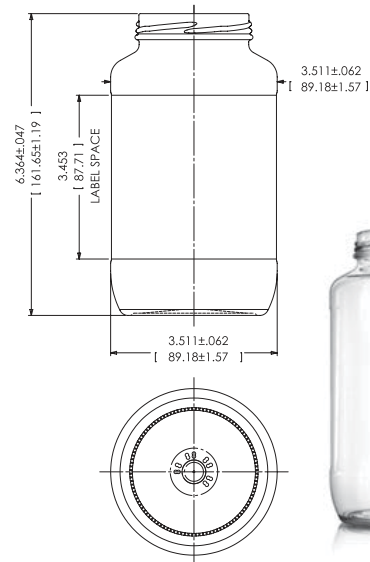
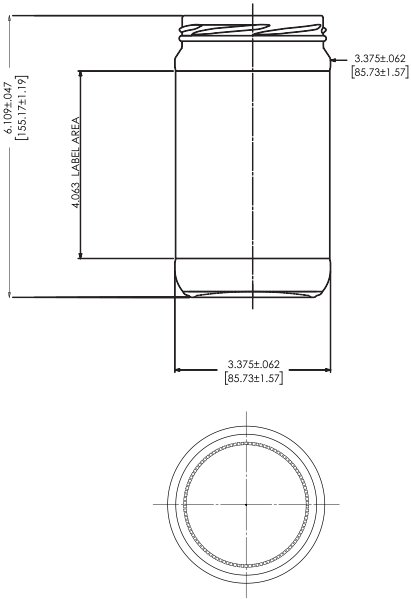
ITEM 21706	
description	16 oz Jar
color	flint
capacity	16.600 fl oz / 490.92 ml
weight	8.000 oz / 226.80 g
diameter/width	3.150 in / 80.01 mm
height	5.078 in / 128.98 mm
finish	70-470 • 70-2030 • 70-2035



ITEM 11770	
description	16 fl oz Container
color	flint
capacity	16.706 fl oz / 494.05 ml
weight	8.250 oz / 233.88 g
diameter/width	2.828 in / 71.83 mm
height	7.191 in / 182.65 mm
finish	28-1768 • 27-2000

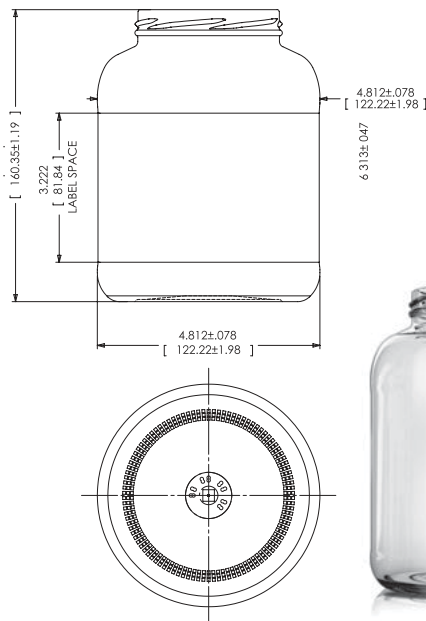


These items are a representative sampling of available items. If you don't see bottles that you are looking for, please contact your Account Representative.



ITEM	22452
description	24 oz. Salsa Jar
color	flint
capacity	24 fl oz / 709.765 ml
weight	11.25 oz / 318.93 g
diameter/width	3.375 in / 85.73 mm
height	6.109 in / 155.17 mm
finish	82-2040

ITEM	22539
description	24.450 fl oz Round Jar
color	flint
capacity	25.450 fl oz / 752.65 ml
weight	12.000 oz / 340.19 g
diameter/width	3.511 in / 89.18 mm
height	6.364 in / 161.65 mm
finish	63-2030 • 63-405



ITEM	24812
description	48 fl oz Round Jar
color	flint
capacity	48.000 fl oz / 1419.53 ml
weight	19.718 oz / 559.00 g
diameter/width	4.812 in / 122.22 mm
height	6.313 in / 160.35 mm
finish	82-2040



These items are a representative sampling of available items. If you don't see bottles that you are looking for, please contact your Account Representative.



the
details
make all the difference.

From the formation of the molds to the manufacturing of the glass, every detail of Anchor glassmaking is perfected in-country and in-house. We supply premium product to today's liquor, beer, beverage, consumer and food categories.

**We are Anchor Glass.
We turn details into differences.**





Color & Finish

Refer to individual products to see available container colors.

A variety of colors, sprays and other effects can be applied to create a more custom product identity. Talk to your sales rep to learn more about Anchor's post-production partners.

For specific finish information, visit:
gpi.org/industry-resources/finish-drawings

Post-production effects are coordinated through third-party vendors.



Anchor Glass Container Corporation 3001 N Rocky Point Drive E, Suite 300 Tampa, FL 33607

anchorglass.com